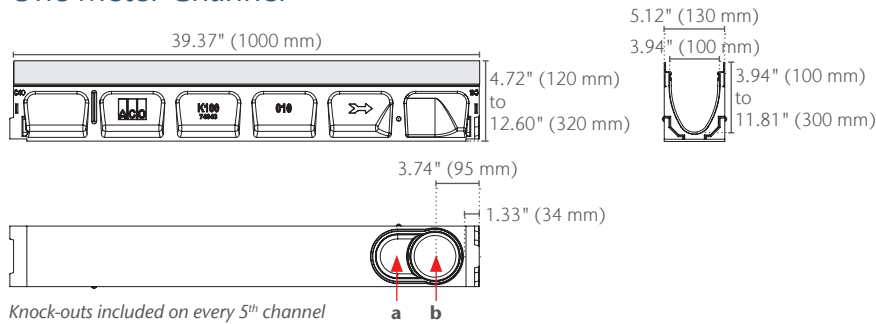


ACO Drain | KlassikDrain

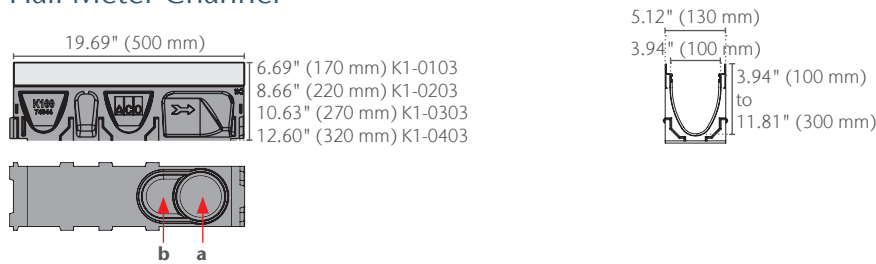
K100 Galvanized Steel Edge Rail Channel System



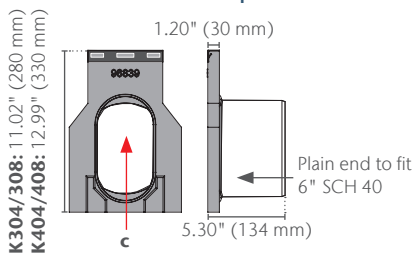
One Meter Channel



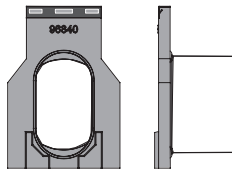
Half Meter Channel



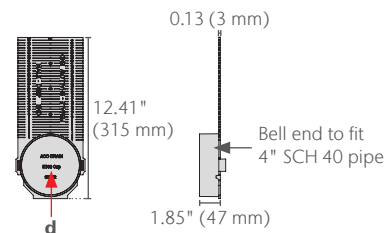
6" Oval Inlet Cap



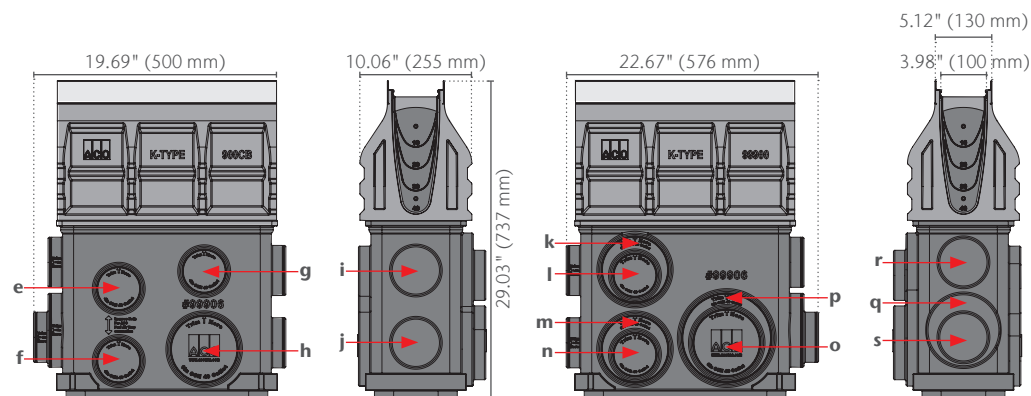
6" Oval Outlet Cap



End Cap



Type K901G In-line Catch Basin



Total capacity = 10.49 gallons



K100 Galvanized Steel Edge Rail Channel System



Specification Summary

General

The surface drainage system shall be ACO Drain K100 complete with gratings secured with QuickLok locking as manufactured by ACO, Inc. or approved equal.

Grates

Grates shall be specified. See separate ACO Spec Info grate sheets for details. After removal of grates and 'QuickLok' bar there shall be uninterrupted access to the trench to aid maintenance.

Installation

The trench drain system shall be installed in accordance with the manufacturer's installation instructions and recommendations.



EN1433 Load Class E
134,885 lbs – 2,785 psi

Materials

The trench system bodies shall be manufactured from polyester polymer concrete with the minimum properties as follows:

- Compressive strength: 14,000 psi
- Flexural strength: 4,000 psi
- Water absorption 0.07%
- Frost-proof
- Salt-proof
- Dilute acid and alkali resistant

The nominal clear opening shall be 4" (100 mm) with overall width of 5.12" (130 mm). Pre-cast units shall be manufactured with either an invert slope of 0.5% or with neutral invert and have a wall thickness of at least 0.50" (13 mm). Each unit will feature a partial radius in the trench bottom and a male to female interconnecting end profile. Units shall have horizontal cast in anchoring keys on the outside wall to ensure maximum mechanical bond to the surrounding bedding material and pavement surface. The galvanized steel edge rail will be integrally cast in by the manufacturer to ensure maximum homogeneity between polymer concrete body and edge rail. Each edge rail shall be at least 3/32" (2.5 mm) thick.

K100 Galvanized Steel Edge Rail Channel System

Product	Part No.	Invert ² in (mm)	Weight lbs
K1-00 Neutral Channel - 39.37" (1 m)	74041	3.94 (100)	28.1
K1-1 Sloped Channel - 39.37" (1 m)	74001	4.13 (105)	28.1
K1-2 Sloped Channel - 39.37" (1 m)	74002	4.33 (110)	28.9
K1-3 Sloped Channel - 39.37" (1 m)	74003	4.53 (115)	29.7
K1-4 Sloped Channel - 39.37" (1 m)	74004	4.72 (120)	30.5
K1-5 Sloped Channel - 39.37" (1 m) ¹	74005	4.92 (125)	31.3
K1-6 Sloped Channel - 39.37" (1 m)	74006	5.12 (130)	32.1
K1-7 Sloped Channel - 39.37" (1 m)	74007	5.31 (135)	32.9
K1-8 Sloped Channel - 39.37" (1 m)	74008	5.51 (140)	33.7
K1-9 Sloped Channel - 39.37" (1 m)	74009	5.71 (145)	34.5
K1-10 Sloped Channel - 39.37" (1 m) ¹	74010	5.91 (150)	35.3
K1-010 Neutral Channel - 39.37" (1 m) ¹	74043	5.91 (150)	35.3
K1-0103 Neutral Channel - 19.69" (0.5 m) ¹	74044	5.91 (150)	17.0
K1-11 Sloped Channel - 39.37" (1 m)	74011	6.10 (155)	36.1
K1-12 Sloped Channel - 39.37" (1 m)	74012	6.30 (160)	36.9
K1-13 Sloped Channel - 39.37" (1 m)	74013	6.50 (165)	37.7
K1-14 Sloped Channel - 39.37" (1 m)	74014	6.69 (170)	38.5
K1-15 Sloped Channel - 39.37" (1 m) ¹	74015	6.89 (175)	39.3
K1-16 Sloped Channel - 39.37" (1 m)	74016	7.09 (180)	40.1
K1-17 Sloped Channel - 39.37" (1 m)	74017	7.28 (185)	40.9
K1-18 Sloped Channel - 39.37" (1 m)	74018	7.48 (190)	41.7
K1-19 Sloped Channel - 39.37" (1 m)	74019	7.68 (195)	42.5
K1-20 Sloped Channel - 39.37" (1 m) ¹	74020	7.87 (200)	43.4
K1-020 Neutral Channel - 39.37" (1 m) ¹	74045	7.87 (200)	43.4
K1-0203 Neutral Channel - 19.69" (0.5 m) ¹	74046	7.87 (200)	20.5
K1-21 Sloped Channel - 39.37" (1 m)	74021	8.07 (205)	44.2
K1-22 Sloped Channel - 39.37" (1 m)	74022	8.27 (210)	45.0
K1-23 Sloped Channel - 39.37" (1 m)	74023	8.46 (215)	45.8
K1-24 Sloped Channel - 39.37" (1 m)	74024	8.66 (220)	46.6
K1-25 Sloped Channel - 39.37" (1 m) ¹	74025	8.86 (225)	47.4
K1-26 Sloped Channel - 39.37" (1 m)	74026	9.06 (230)	48.2
K1-27 Sloped Channel - 39.37" (1 m)	74027	9.25 (235)	49.0
K1-28 Sloped Channel - 39.37" (1 m)	74028	9.45 (240)	49.8
K1-29 Sloped Channel - 39.37" (1 m)	74029	9.65 (245)	50.6
K1-30 Sloped Channel - 39.37" (1 m) ¹	74030	9.84 (250)	51.4
K1-030 Neutral Channel - 39.37" (1 m) ¹	74047	9.84 (250)	51.4
K1-0303 Neutral Channel - 19.69" (0.5 m) ¹	74048	9.84 (250)	24.0
K1-31 Sloped Channel - 39.37" (1 m)	74031	10.04 (255)	52.2
K1-32 Sloped Channel - 39.37" (1 m)	74032	10.24 (260)	53.0
K1-33 Sloped Channel - 39.37" (1 m)	74033	10.43 (265)	53.8
K1-34 Sloped Channel - 39.37" (1 m)	74034	10.63 (270)	54.6
K1-35 Sloped Channel - 39.37" (1 m) ¹	74035	10.83 (275)	55.4
K1-36 Sloped Channel - 39.37" (1 m)	74036	11.02 (280)	56.2
K1-37 Sloped Channel - 39.37" (1 m)	74037	11.22 (285)	57.0
K1-38 Sloped Channel - 39.37" (1 m)	74038	11.42 (290)	57.9
K1-39 Sloped Channel - 39.37" (1 m)	74039	11.61 (295)	58.7
K1-40 Sloped Channel - 39.37" (1 m) ¹	74040	11.81 (300)	59.5
K1-040 Neutral Channel - 39.37" (1 m) ¹	74049	11.81 (300)	59.5
K1-0403 Neutral Channel - 19.69" (0.5 m) ¹	74050	11.81 (300)	27.5
K1-901G In-line Catch Basin - 19.69" (0.5 m) ³	94608	27.63 (702)	52.6
K1-621G Catch Basin - 19.69" (0.5 m) ³	94617	28.86 (733)	55.8
K1-631G Catch Basin - 19.69" (0.5 m) ⁴	94631	40.86 (1,038)	65.8
K1-Series 600 Optional Plastic Riser	99902	-	10.0
Foul Air Trap - Fits Both 900 & 600 Series Basins	90854	-	1.2

Product	Part No.	Invert ² in (mm)	Weight lbs
K1-304-6 6" Inlet Cap	96839	9.84 (250)	5.2
K1-308-6 6" Outlet Cap	96840	9.84 (250)	5.0
K1-404-6 6" Inlet Cap	96834	11.81 (300)	6.0
K1-408-6 6" Outlet Cap	96836	11.81 (300)	5.8
Universal End Cap	96822	11.81 (300)	0.4
Debris Strainer for 4" Bottom Knockout	93488	-	0.2
4" Oval to 6" Round Outlet Adapter	95140	-	1.1
K1-Installation Device	97477	-	2.8
Grate Removal Tool	01318	-	0.3
K1-QuickLok® Locking Bar	02899	-	0.1

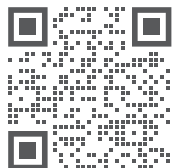
1. This channel offers a bottom knockout feature; 4" round/6" oval.
2. Inverts shown are for the male end; for female invert depth subtract 5 mm (≈0.2") from the male invert (except for neutral channels, where it will be same as male invert). To calculate the overall channel depth add 20 mm (≈0.8") to invert depth.
3. This catch basin kit includes a polymer concrete top, removable Quicklok locking bar, trash bucket and plastic base. Select an appropriate grate.
4. This catch basin kit includes a polymer concrete top, removable Quicklok locking bar, deep trash bucket, plastic riser and plastic base. Select an appropriate grate.

Outlet Flow Rates

Outlet	Product	Outlet Size	Invert Depth in (mm)	GPM	CFS
a	Bottom Outlet - K00	4" Round	3.94 (100)	108	0.24
	Bottom Outlet - K40	4" Round	11.81 (300)	187	0.42
b	Bottom Outlet - K00	6" Oval	3.94 (100)	177	0.39
	Bottom Outlet - K40	6" Oval	11.81 (300)	306	0.68
c	K1-308-6 6" Outlet Cap	6" Oval	9.84 (250)	233	0.52
	K1-408-6 6" Outlet Cap	6" Oval	11.81 (300)	264	0.59
d	End Outlet - K20	4" Round	7.87 (200)	132	0.29
	End Outlet - K40	4" Round	11.81 (300)	171	0.38
e	Type K1-901G	4" Round	20.68 (525)	235	0.52
f	Type K1-901G	4" Round	27.17 (690)	226	0.50
g	Type K1-901G	4" Round	18.99 (482)	265	0.59
h	Type K1-901G	6" Round	27.17 (690)	263	0.59
i	Type K1-901G	4" Round	19.30 (490)	222	0.49
j	Type K1-901G	4" Round	25.67 (652)	586	1.30
k	Type K1-901G	6" Round	19.99 (508)	269	0.60
l	Type K1-901G	4" Round	19.36 (492)	227	0.51
m	Type K1-901G	6" Round	27.30 (693)	604	1.35
n	Type K1-901G	4" Round	26.43 (671)	505	1.12
o	Type K1-901G	6" Round	26.43 (671)	593	1.32
p	Type K1-901G	8" Round	27.30 (693)	1051	2.34
q	Type K1-901G	6" Round	25.85 (657)	273	0.61
r	Type K1-901G	4" Round	18.56 (471)	235	0.52
s	Type K1-901G	4" Round	25.30 (643)	224	0.50

Notes:
These are the pipe flow rates at the specified outlet, NOT channel flow rates. Catch basin flow rates are without trash bucket (trash bucket reduces flow).

info@acousa.com
www.acoswm.com



ACO, Inc.

© February 2025 ACO, Inc.
All reasonable care has been taken in compiling the information in this document. All recommendations and suggestions on the use of ACO products are made without guarantee since the conditions of use are beyond the control of the company. It is the customer's responsibility to ensure that each product is fit for its intended purpose and that the actual conditions of use are suitable. ACO, Inc. reserves the right to change products and specifications without notice.

